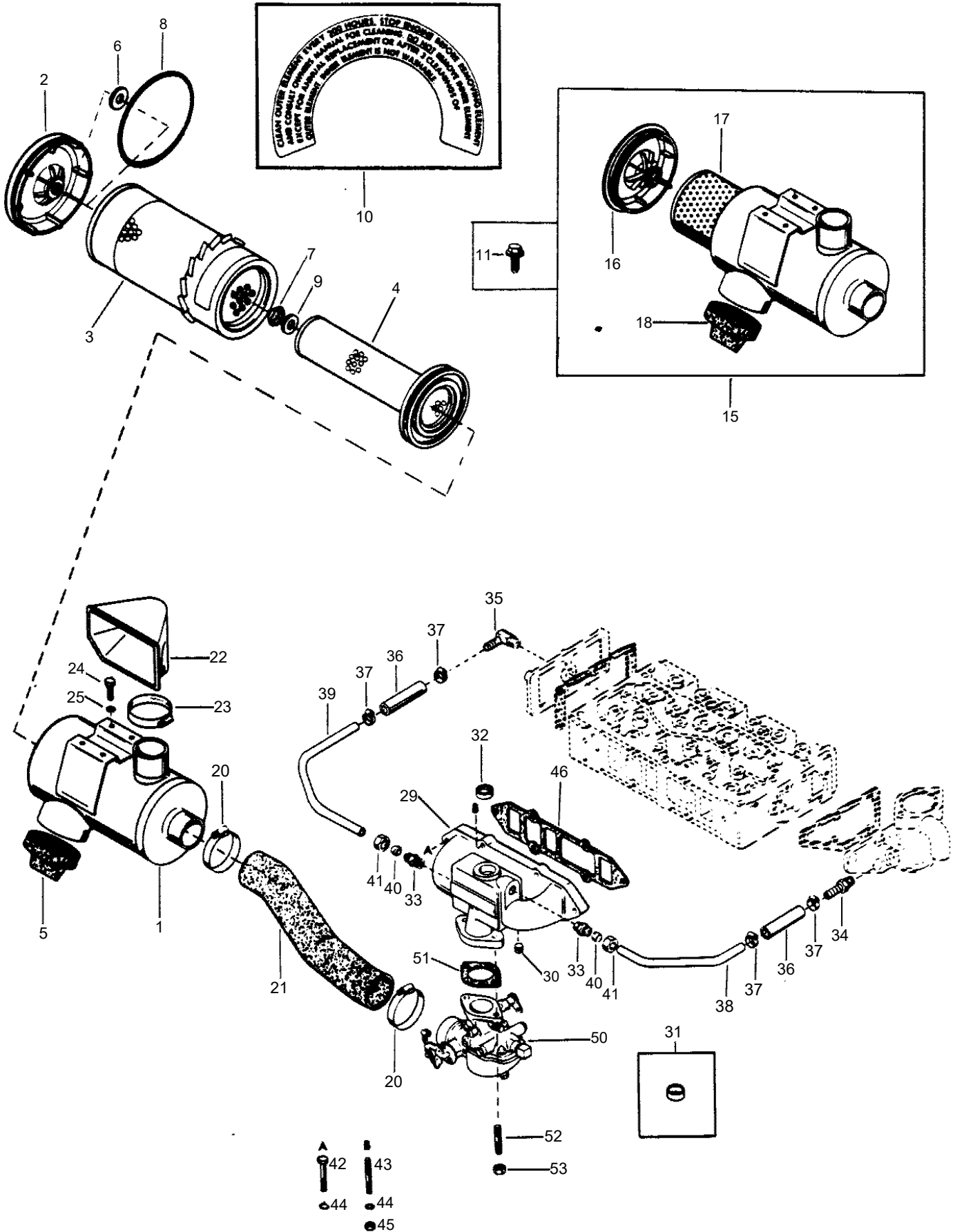


BE188-5



Item	Part Number	Description	Qty	Tech Spec	Notes	Ref
1	523416M93	(A) AIR CLEANER ASSEMBLY	1			
2	523420M91	COVER ASSEMBLY	1			
3	1032762M91	ELEMENT ASSEMBLY (PRIMARY)	1			
4	523419M92	ELEMENT, AIR CLEANER	1			
5	529439M1	VALVE, DUST	1			
6	523422M1	GASKET, WASHER	1			
7	523423M1	NUT (3/8" NC HEX., SPECIAL)	1			
8	1040177M1	GASKET, COVER SEALING	1			
9	1024948M91	NUT (7/16" NF, WING SPECIAL)	1			
10	523731M1	(A) LABEL, CAUTION	1			
11	523421M1	BOLT, ELEMENT RETAINER	1			
15	513604M92	(B) AIR CLEANER ASSEMBLY (ORDER 523416M92)	1			
16	1032763M91	COVER ASSEMBLY	1			
17	1032762M91	ELEMENT ASSEMBLY (PRIMARY)	1			
18	1029946M1	VALVE, DUST	1			
20	363709X1	CLAMP (2-3/4")	2			
21	521108M1	HOSE, AIR CLEANER TO CARBURETOR	1			
22	513544M1	HORN, AIR INTAKE	1			
23	832713M1	CLAMP, HOSE (TYPE F) (PERKINS NO. 0180106)	1			
24	353676X1	BOLT (5/16 X 5/8" NC, HEX.)	4			
25	353446X1	WASHER (5/16" LOCK)	4			
29	737005M1	MANIFOLD (INTAKE) (PERKINS NO. 37786672)	1			
30	356040X1	PLUG (1/4" P.T. HEX., SCKT. HD.) (PERKINS NO. 2431132)	1			
31	731856M1	PLUG (1" CUP TYPE) (PERKINS NO. 0650713)	1			
32	735870M1	PLUG (13/16" CUP TYPE) (PERKINS NO. 32417122)	1			
33	731654M1	UNION (PERKINS NO. 0206008)	2			
34	737277M1	CONNECTOR, FRONT, HEAD TO HOSE (PERKINS NO. 2481305)	1			
35	1446010M1	CONNECTOR, REAR, HEAD TO HOSE (PERKINS NO. 2447373)	1			
36	736997M1	HOSE, CONNECTOR TO WATER PIPE (3" LONG) (PERKINS NO. 33845106)	2			
37	832714M1	CLAMP, HOSE (PERKINS NO. 0180063)	4			
38	738067M1	PIPE, FRONT, HOSE TO MANIFOLD, WATER INLET (PERKINS NO. 34251118)	1			
39	737107M1	PIPE, REAR, MANIFOLD TO HOSE, WATER OUTLET (PERKINS NO. 34572407)	1			
40	375837X1	SLEEVE, PIPE (PERKINS NO. 0566007)	2			
41	375782X1	NUT (11/16" - 20 COMPRESSION) (PERKINS NO. 0576116)	2			
42	353522X1	BOLT (5/16 X 1-3/8" NF, HEX.) (PERKINS NO. 0096232)	2			
43	732966M1	STUD (5/16 NF X 1-9/16") (PERKINS NO. 0826243)	4			

Item	Part Number	Description	Qty	Tech Spec	Notes	Ref
44	353446X1	WASHER (5/16" LOCK) (PERKINS NO. 0920053)	6			
45	353916X1	NUT (5/16" NF, HEX.) (PERKINS NO. 0276002)	4			
46	737018M1	GASKET, INTAKE MANIFOLD TO HEAD (PERKINS NO. 36867148)	1			
50		CARBURETOR ASSEMBLY (SEE PAGE 144)	1			
51	185199M2	GASKET, CARBURETOR TO MANIFOLD	1			
52	831647M1	STUD (3/8" X 1-1/4" NC-NF)	2			
53	353431X1	NUT (3/8" NF, HEX.)	2			

		(A) - USED TRACTOR SERIAL NUMBER				
		9A105179 AND UP FOR TRACTORS WITH 8 SPEED TRANSMISSION.				
		- USED TRACTOR SERIAL NUMBER				
		9A108723 AND UP FOR TRACTORS WITH 6 SPEED TRANSMISSION.				
		(B) - USED PRIOR TO TRACTOR SERIAL				
		NUMBER 9A105179 FOR TRACTORS WITH 8 SPEED TRANSMISSION.				
		- USED PRIOR TO TRACTOR SERIAL				
		NUMBER 9A108723 FOR TRACTORS WITH 6 SPEED TRANSMISSION.				